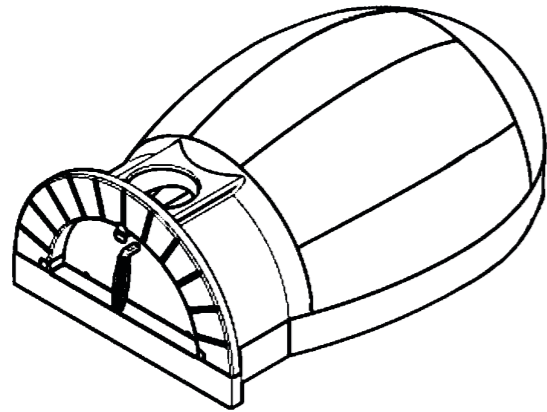


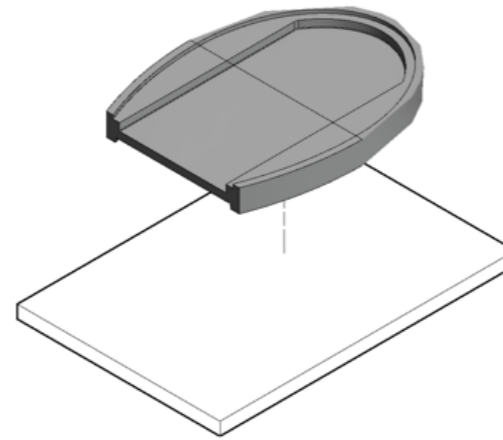
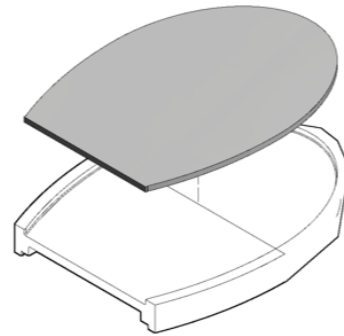


Assembly Instructions AMPHORA Basic



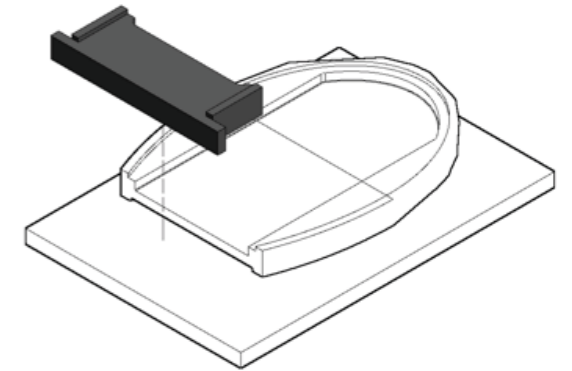
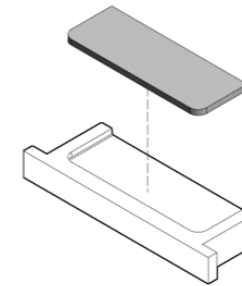
Process +

1)



Place the bottom rear plate on a stand.
You can isolate the oven from the stand by gluing the bio-mat into the bottom cutout of the plate.
If necessary, lower its thickness by peeling the bio-mat layer.

2)



Place or also isolate the bottom front plate the same way.

Recommendations for enclosing the oven

The chimney should be placed and isolated in the way that the smoke won't get into the enclosing. We recommend to use our chimney base with a damper.

Maintain an access to the inner shapes for an easy replacement. The manufacturer doesn't pay for any damage on the enclosing.

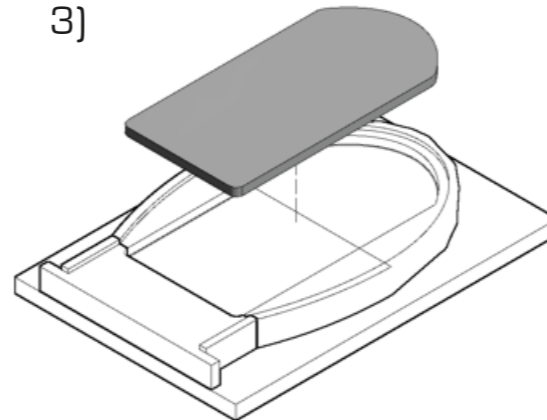
It's important to maintain a dilatational interstice around the front arch.*

The enclosing shouldn't push on the inner refractory shapes.*
For example a self-supporting frame can be used together with an insulation poured inside.

If the construction stands in an open space, it's necessary to use a waterproof material as the last layer.*

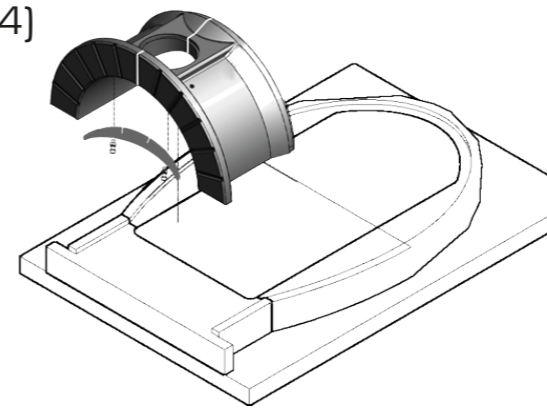
*Not following the recommendations can cause a damage of the refractory shapes without the possibility of a warranty claim.

3)



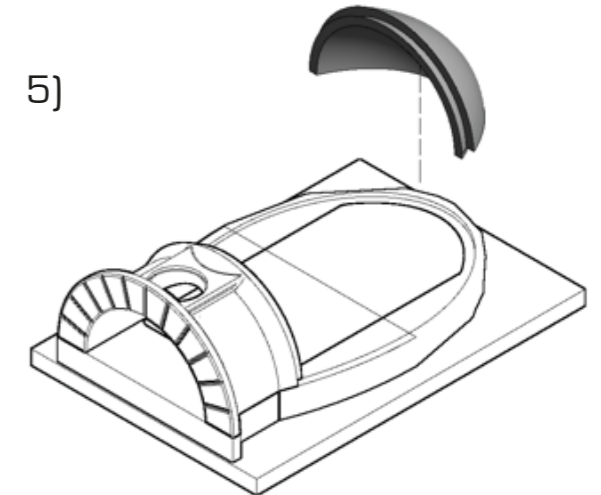
Place the inner plate into the bottom plate cutout.

4)



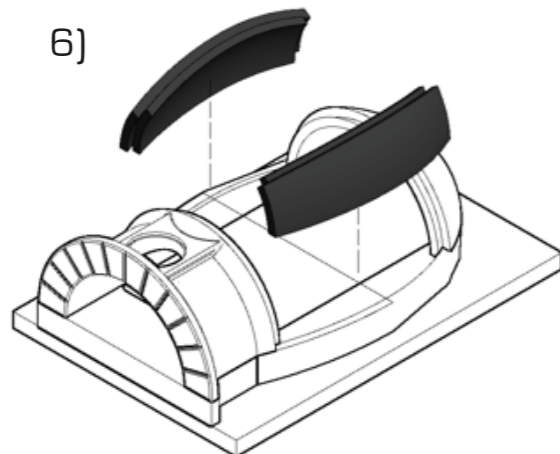
Place the front arch on the front plate of the bottom.
Then bolt the smoke guard to the arch. Do not tighten the joints too firmly, otherwise the damage of the refractory shapes may occur due to heat dilatation.

5)



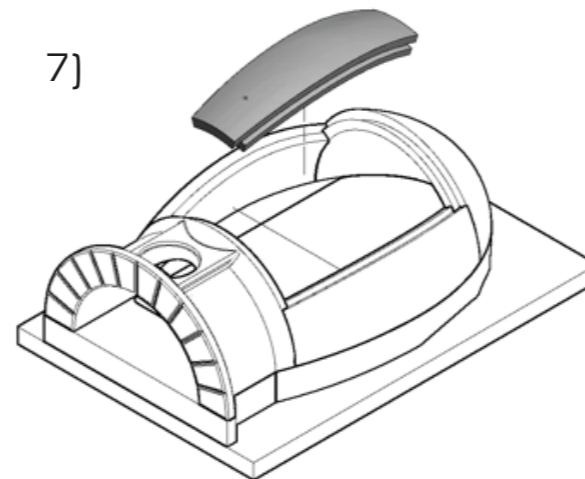
Place the rear arch on the rear plate of the bottom.

6)



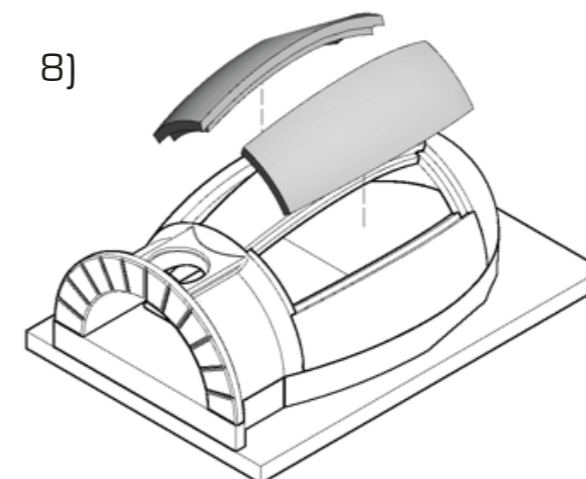
Place the small side arch between the front and rear arch. Side arches should be placed with hole towards the front portal.

7)



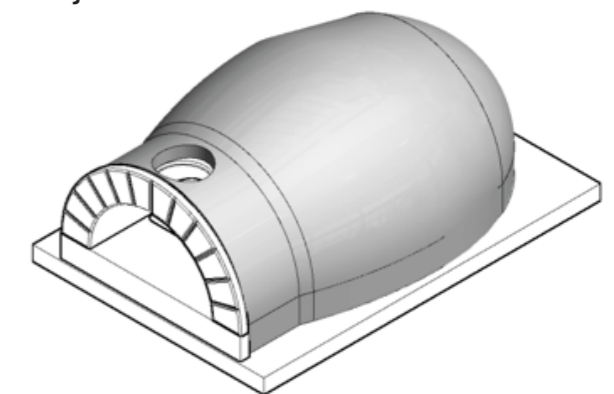
Place the central part of the arch with hole towards the chimney. Shape should be placed on the top of the arch.

8)



Place the last two shaped pieces into the remaining space so that the locks match.

9)



We recommend to isolate the oven with Ceramic Insulation Biomat and Aluminium foil before enclosing.