



E24 Series Heavy Duty Counter Equipments

Hot-Plates / Food Warmer / Griddles / Fryers

PARTS LIST

Phone (US & Canada): 1 800 427 6668

Fax (US & Canada): 1 800 361 7745

www.Garland-Group.com

Quality Factory Replacement Parts for the World's Finest Foodservice Equipment Solutions

This parts list is updated regularly. Please find the most current revision
on our website @ www.Garland-Group.com

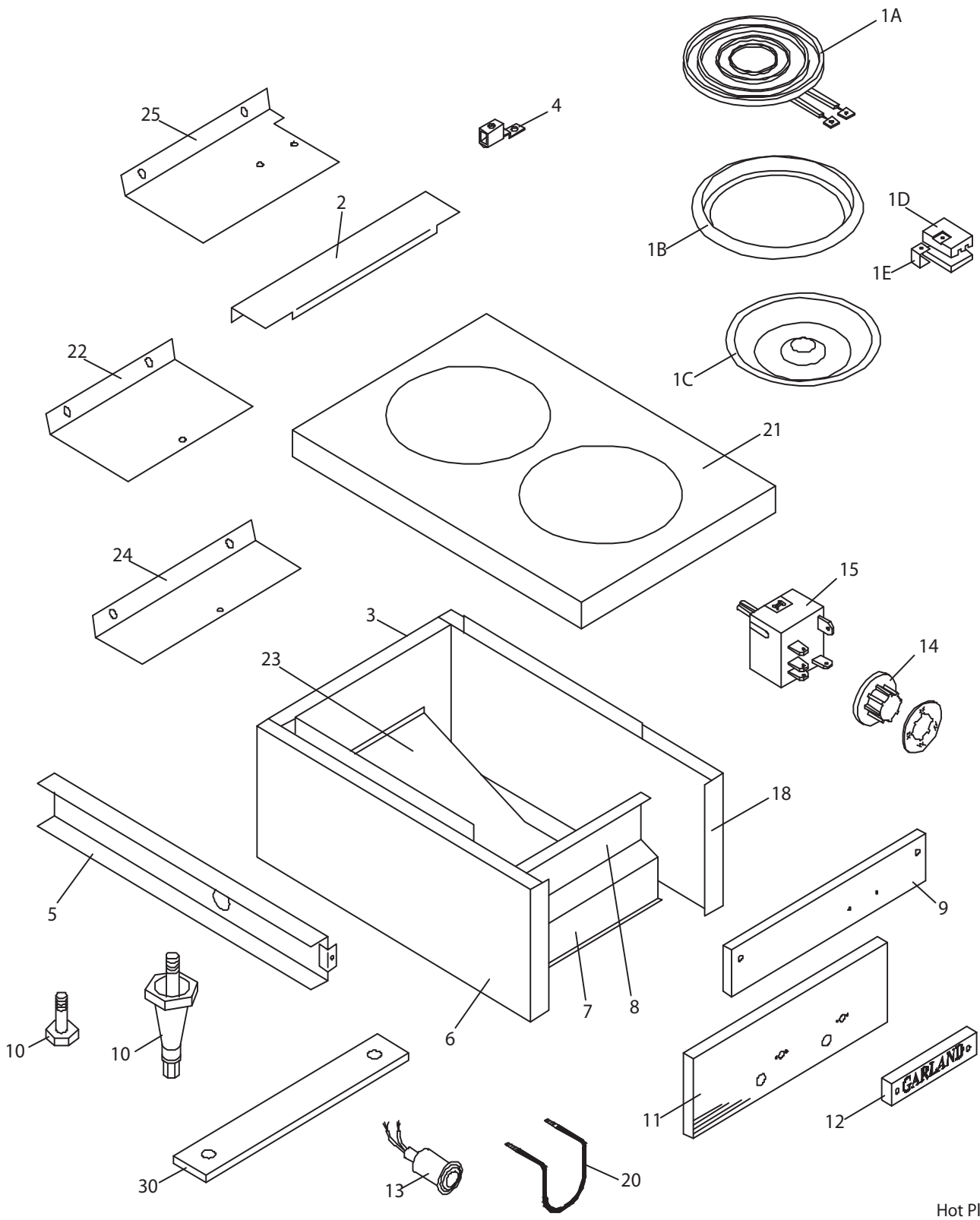


E24 Series Heavy Duty Counter Equipments

Hot-Plates / Food Warmer / Griddles / Fryers

Table of Contents

Hot Plates — E24-12H	4
Food Warmer — E24-32W & E24-32WP.....	6
Griddles — E24-24G / E24-36G / E24-48G / E24-60G / E24-72G	8
Heavy Duty Fryers — E24-31F & E24-31SF	12
Revision History.....	15



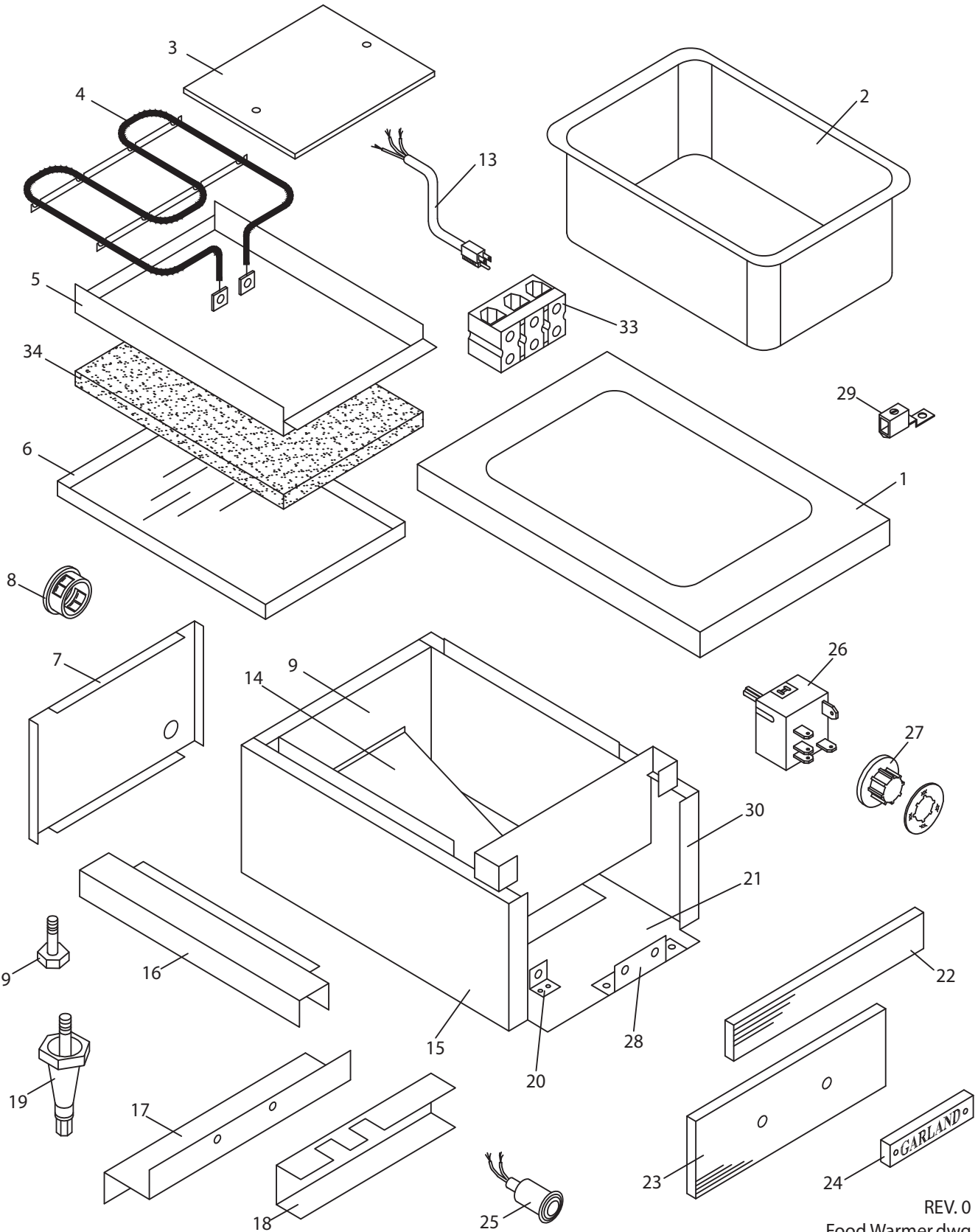
GARLAND PARTS IDENTIFICATION

Hot Plates *model E24-12H*

ITEM	PART #	DESCRIPTION	MODEL			CRITICAL
			QTY	DATE		
				E24-12H	FROM	
1A	2195000	8" Surface Element 208V (2.1Kw)	2			C
	2195001	8" Surface Element 240V (2.1Kw)	2			C
1B	2602399	8" Ring Assembly	2			C
1C	2195300	8" Pan Reflector	2			C
1D	2195800	Split Terminal Block (Small)	2			C
1E	2627700	Terminal Block Clip	2			
2	G2278-1-7	Switch Cover	1			
3	G2270-01-8	Main Back Assembly	1			
	G2270-01-9	Main Back Assembly	1			
4	G01500-1	Ground Terminal 55 Amp	1			
5	G2267-01-7	Wireway Assembly	1			
6	G2588-01-82	Main Side Assembly L/H	1			
	G2588-01-92	Main Side Assembly L/H	1			
7	G0627-1-7	Main Bottom	1			
8	G2277-1-7	Cover Support	1			
9	G2150-15-9	Top Panel	1			
10	F157	Leveling Bolt-3/8-16x1 1/16"	4			
	078109-2	4" Adjustable Metal Leg	4			
11	G2275-2-9	Lower Front Panel	1			
	G2275-3-9	Lower Panel USA Models Only	1			
12	3077101	Garland Nameplate 4 7/8"	1			
13	G01296-3	Pilot Green	2			C
14	G1035-1	Dial HI-MED-LOW	2		18-Jan-84	
	G02716-1	Dial - (Universal) Small Shaft	2	19-Jan-84		C
	G02725-4	Dial Insert (OFF/MIN/2-6/MAX)	2	19-Jan-84		C
15	CK114	3 Heat Switch Kit	2		18-Jan-84	
	G02667-1	3 Heat Switch	2		18-Jan-84	
	G03185-2	Infinite Switch-240 Volt	2	19-Jan-84		C
16*	G1555-1	Front I.D. Plate	1			
17*	G1555-2	Rear I.D Plate	1			
18	G2588-01-81	Main Side Assembly R/H	1			
	G2588-01-91	Main Side Assembly R/H	1			
19*	G0312-1-9	Banking Plate	1			
20	G0228-1-8P	Thermo Guard-Plated C/W Nuts (USA Only)	2			
21	G2276-01-9	Hot Plate Top Assembly	1			
22	G03255-1-7	Heat Baffle Rear	1			
23	G03256-1-7	Heat Baffle Front	1			
24	G03257-1-7	Upper Rear Shield	1			
25	G03258-1-7	Lower Rear Shield	1			
26*	G03259-1-7	Terminal Protection Shield	1			
27*	G03260-1-7	Terminal Protection Shield Side	1			
28*	G03443-02-5	Dura Disc Assembly 10"	2			
29*	G03549-2-5	Element Clamp Dura Disc 6"	2			
30	2285999	Leg Channel Assembly 15"	2			

* NOT ILLUSTRATED

RECOMMENDED STOCK PARTS



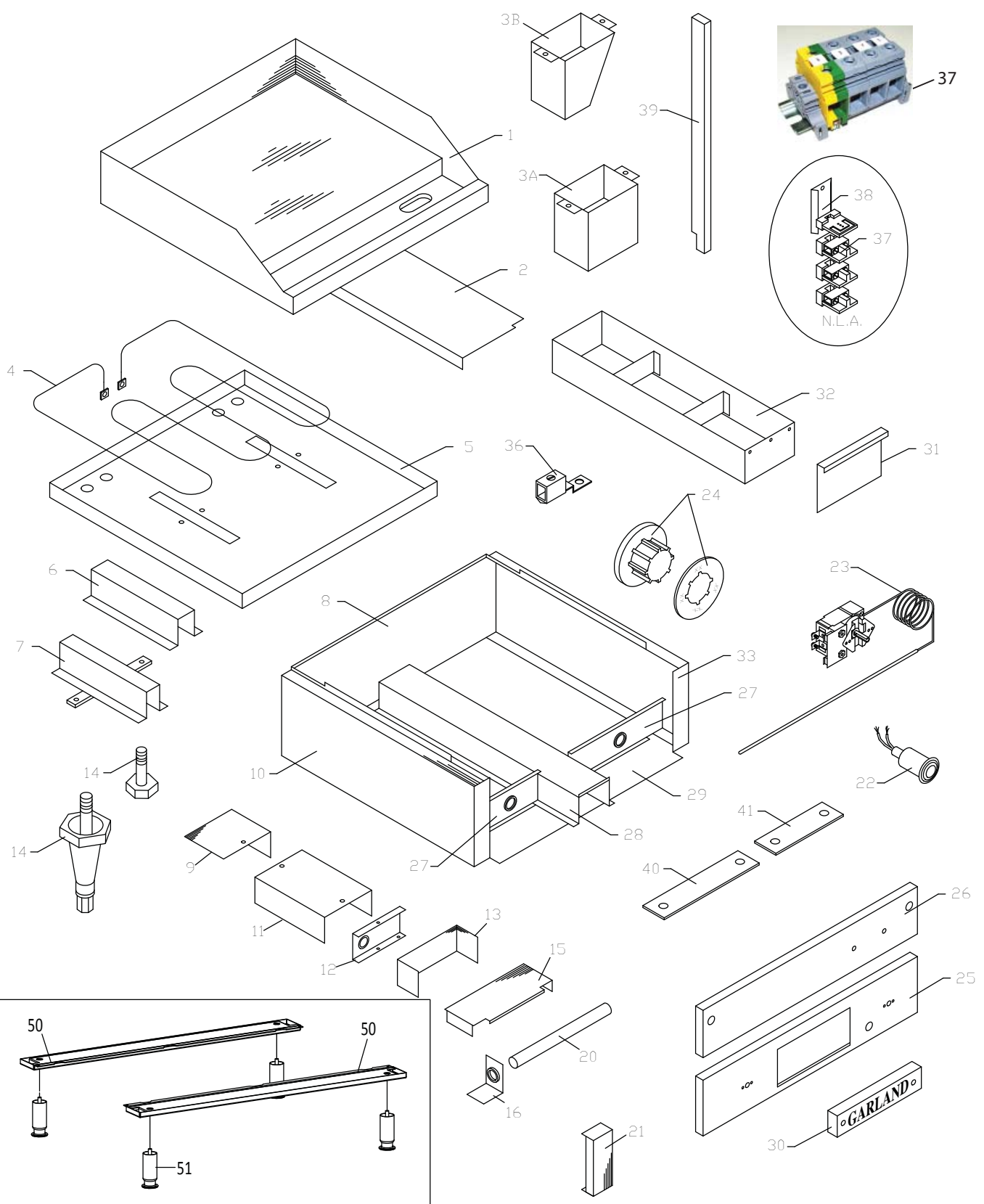
REV. 0
Food Warmer.dwg

GARLAND PARTS IDENTIFICATION
Food Warmer models E24-32W & E24-32WP

ITEM	PART #	DESCRIPTION	MODEL		CRITICAL
			QUANTITY		
			E24-32W	E24-32WP	
1	G2258-01-9	Main Top Assembly	1	1	
2	G0439-2-9	Food Warmer Well	1	1	
3	G01590-1-8	Element Pan Baffle	1	1	
4	G0569-1	Element 120V, 1KW	1		C
	G0569-2	Element 208V, 1KW	1		C
	G0569-3	Element 240V, 1KW	1		C
5	G0753-2-6	Element Pan	1	1	
6	G0577-1-6	Element Baffle Pan	1	1	
7	G0236-1-8	Main Back	1	1	
	G0236-1-9	Main Back	1	1	
8	G01487-3	Heyco Bushing 7/8IDx1 39/64OD	1		
9	G0633-1-7	Back Lining	1	1	
10*	G0355-1	Surface Utility Box-Temco	1		
	G0355-2	Blank Steel Plate	1		
11*	G01497-1	Bx Connector Straight 3/8"	1		
12*	G01507-1	Chase Nipple#842-TB W/Locknut# 141	1	1	
13	4523398	Power Cord 6Ft 3/14GA - 15Amp SJ00W		1	
14	G0631-1-7	Element Support	1	1	
15	G2588-01-82	Main Side Assembly L/H	1	1	
	G2588-01-92	Main Side Assembly L/H	1	1	
16	G0630-1-7	Race Way	1	1	
17	G0629-1-7	Lower Front Shield	1	1	
18	G0628-1-7	Element Pan Support	1	1	
19	F157	Leveling Bolt-3/8-16x1 1/16"	4	4	
	078109-2	4" Adjustable Metal Leg	4	4	
20	G2687-1-7	Cable Support	1	1	
21	G0627-1-7	Main Bottom	1	1	
22	G2150-15-9	Top Panel	1	1	
23	G0634-1-9	Lower Front Main Panel	1	1	
24	3077101	Garland Nameplate 4 7/8"	1	1	
25	G01296-3	Pilot Green	1	1	C
26	G03185-1	Infinite Switch-120 VOLT	1		C
	G03185-2	Infinite Switch-240 Volt	1		C
27	G02716-1	Dial - (Universal) Small Shaft	1	1	C
	G02725-4	Dial Insert (OFF/MIN/2-6/MAX)	1	1	C
28	G2691-1-7	Switch Mounting Bracket	1	1	
29	G01500-1	Ground Terminal 55 Amp	1	1	
30	G2588-01-81	Main Side Assembly R/H	1	1	
	G2588-01-91	Main Side Assembly R/H	1	1	
31*	G0312-1-9	Banking Plate	1	1	
32*	G0632-1-7	Front Division	1	1	
33	2147300	Terminal Block 3 Circuit	1	1	
34	1472205	Insulation 17 x 12 x 1	1	1	
35*	G1555-6	Blank I.D Plate	1	1	

* NOT ILLUSTRATED

RECOMMENDED STOCK PARTS



Used From 1110100101333 / 02-Nov-2011
Fasteners, items 52, 53, 54 not shown.

GARLAND PARTS IDENTIFICATION

Griddles models E24-24G, E24-36G, E24-48G, E24-60G, E24-72G

ITEM	PART #	DESCRIPTION	QUANTITY					CRITICAL
			E24-24G	E24-36G	E24-48G	E24-60G	E24-72G	
1	4526682	Griddle Assembly E24-24G Note: For any unit built UP TO 19-Aug-2009, replacing all griddle assemblies will require the new Grease Chute (4518983, item 3B).	1					
	4527724	24" Griddle Assy Fully Grooved Note: For any unit built UP TO 19-Aug-2009, replacing all griddle assemblies will require the new Grease Chute (4518983, item 3B).	1					
	4527725	24", 1/2 Grooved, R/H Side Griddle Assembly Note: For any unit built UP TO 19-Aug-2009, replacing all griddle assemblies will require the new Grease Chute (4518983, item 3B).	1					
	4527726	24", 1/2 Grooved, L/H Side Griddle Assembly Note: For any unit built UP TO 19-Aug-2009, replacing all griddle assemblies will require the new Grease Chute (4518983, item 3B).	1					
	G02141-036-8	Griddle Assembly 36"		1				
	2220699	36" Grooved Griddle Assembly		1				
	2220695	36" Grooved Griddle Assembly		1				
	2220696	36" Grooved Griddle Assembly		1				
	2220697	36" Grooved Griddle Assembly		1				
	2220698	36" Grooved Griddle Assembly		1				
4526683	Griddle Assembly E24-48G Note: For any unit built UP TO 19-Aug-2009, replacing all griddle assemblies will require the new Grease Chute (4518983, item 3B).			1				
4526684	Griddle Assembly E24-60G Note: For any unit built UP TO 19-Aug-2009, replacing all griddle assemblies will require the new Grease Chute (4518983, item 3B).				1			
G02141-072-8	Griddle Assembly 72"					1		
2	G01831-1-6	Element Clamp	4	6	8	10	12	
3A	G2539-01-6	Grease Chute Assembly Note: Used UP TO 19-Aug-200.	1	1	2	2	2	
3B	4518983	Grease Chute Assembly Note: Used FROM (date) 20-Aug-2009 (serial#) 0908100100453 (model) E24-48G-0005.	1	1	2	2	2	
4	G01818-1	Element 208V, 4KW From Ser # 21718	2	3	4	5	6	C
	G01818-2	Element 240V, 4KW From Ser # 21718	2	3	4	5	6	C
	G01818-3	Element 240V 2650W Mc.Donald's Australia						C
	G01819-1	Element 440/480V, 4KW Hi-Voltage Only						C
	G0531-1	Perimeter Element 208V, 1.6KW up to Ser # 21717	2		4	2		
	G0531-2	Perimeter Element 240V, 1.6KW up to Ser # 21717	2		4	2		
	G2105-1	Perimeter Element 208V,1.85KW up to Ser # 21717		2		2	4	
	G2105-2	Perimeter Element 240V,1.85KW up to Ser # 21717		2		2	4	
	1102103	Hot Top Element 208	4	6	8	10	12	
1102104	Hot Top Element 240	4	6	8	10	12		
5	G02140-24-6	Element Cover	1		2	1		
	G01830-1-6	Element Cover		3		3	6	
6	G01849-1-6	Bulb Channel	2	3	4	5	6	
7	G01851-01-6	Bulb Clamp Assembly	2	3	4	5	6	

* NOT ILLUSTRATED

RECOMMENDED STOCK PARTS

GARLAND PARTS IDENTIFICATION
Griddles models E24-24G, E24-36G, E24-48G, E24-60G, E24-72G

ITEM	PART #	DESCRIPTION	QUANTITY					CRITICAL
			E24-24G	E24-36G	E24-48G	E24-60G	E24-72G	
8	G02138-024-8	Main Back Assembly	1		2	1		
	G02138-024-9	Main Back Assembly S/S	1		2	1		
	G02138-036-8	Main Back Assembly		1		1	2	
	G02138-036-9	Main Back Assembly S/S		1		1	2	
9	G01925-1-7	Terminal Box Heat Shield	1	1	2	2	2	
10	G2588-01-82	Main Side Assembly L/H	1	1	1	1	1	
	G2588-01-92	Main Side Assembly L/H	1	1	1	1	1	
	G2588-02-82	Main Side Assembly L/H			1	1	1	
11	G01888-1-7	Terminal Box Cover	1	1	2	2	2	
12	G01887-01-7	Wire Way Channel Assembly	1	1	2	2	2	
13	G02137-1-7	Grease Tray Wire Guard	1	1	2	2	2	
14	078109-2	4" Adjustable Metal Leg Note: For item 40 / 41. Used UP TO 26-Oct-2011.	4	4	8	8	8	
	F157	Leveling Bolt-3/8-16X1 1/16"	4	4	8	8	8	
15	G02136-1-7	Switch Cover	2		4	2		
	G02134-1-7	Switch Cover		1		1	2	
16	G01930-01-7	Wireway Assembly	1	2	2	3	4	
17*	4530871	Conduit Bushing 1" Std. Pipe			2	2	2	
18*	G01572-1	Conduit Locknut 1" NPT			2	2	2	
19*	G01571-1	1" Std. Pipe X 1 1/2			1	1	1	
20	G01922-2	Vinyl Tube 3/8 Note: Used UP TO August 19, 2000	2	3	4	5	6	
	G01922-8	Vinyl Tube 1/2 Note: Used FROM August 19, 2000	2	3	4	5	6	
21	G2173-1-7	Top Support Channel	1	1	2	2	2	
22	G01296-2	Pilot Amber	2	3	4	5	6	
23	G0893-01	Griddle Thermostat	2	3	4	5	6	C
	1102703	Griddle Thermostat Up to Serial #10963						
	2176401	Griddle Thermostat High Voltage Models Only						
24	G02716-1	Dial - (Universal) Small Shaft	2	3	4	5	6	C
	G02725-19	Dial Insert (OFF/100F/450F) Griddle F	2	3	4	5	6	C
	G02725-11	Dial Insert (OFF/40C/230C) Griddle Celsius	2	3	4	5	6	
25	G0528-1-9	Main Front (Lower Panel)	1		2	1		
	G2757-1-9	Main Front Panel		1		1	2	
26	G2150-24-9	Top Panel	1		2	1		
	G2150-36-9	Top Panel		1		1	2	
27	G02135-01-7	Cover Support Assembly	2		4	2		
	G02133-01-7	Cover Support Assembly		1		1	2	
28	G7474-1-7	Cover (Grease Tray)	1	1	2	2	2	
29	G02139-24-7	Main Bottom	1		2	1		
	G02139-36-7	Main Bottom		1		1	2	
30	3077101	Garland Nameplate 4 7/8"	1	1	2	2	2	
31	G2175-1-9	Grease Pan Front	1	1	2	2	2	
32	G2176-01-8	Grease Pan Assembly	1	1	2	2	2	
33	G2588-01-81	Main Side Assembly R/H	1	1	1	1	1	
	G2588-01-91	Main Side Assembly R/H	1	1	1	1	1	
	G2588-02-81	Main Side Assembly R/H			1	1	1	
34*	G2445-3	Resistor 150,000 OHM 2W Hi-Voltage Models Only						
35*	G0312-1-9	Banking Plate	1	1	1	1	1	
36	G01499-1	Ground Terminal 105A Large SLU-70	1	1	1	1	1	

* NOT ILLUSTRATED

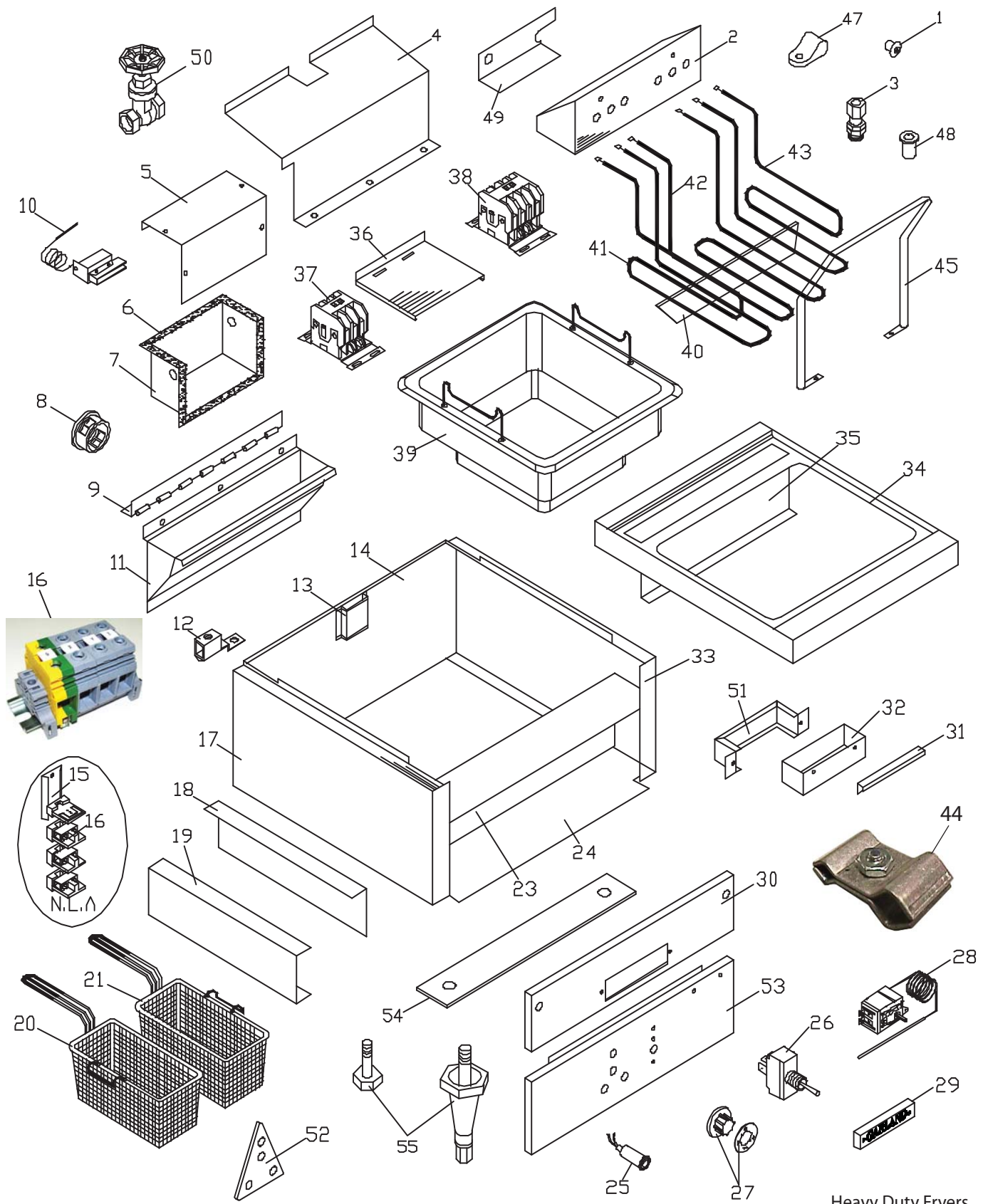
RECOMMENDED STOCK PARTS

GARLAND PARTS IDENTIFICATION
Griddles models E24-24G, E24-36G, E24-48G, E24-60G, E24-72G

ITEM	PART #	DESCRIPTION	QUANTITY					CRITICAL
			E24-24G	E24-36G	E24-48G	E24-60G	E24-72G	
37	G01268-1	Terminal Block #824 Export N.L.A. Up to January 5, 2001	3	3	6	6	6	
	G01268-2	Terminal Block End #830 N.L.A. Up to January 5, 2001	1	1	2	2	2	
	2694800	Export Terminal Block (5) From January 5, 2001			1	1	1	
	2694801	Export/Domestic Terminal Block (4) From January 5, 2001	1	1	1	1	1	
38	G01280-3-7	Terminal Block Channel 3 LUG Domestic N.L.A.	1	1	2	2	2	
	G01280-4-7	Terminal Block Channel 4 LUG Export N.L.A.	1		1			
	G01280-5-7	Terminal Block Channel 5 LUG Export N.L.A.		1	1	2	2	
39	G2402-2-5	Top Support Prop	1	1	2	2	2	
40	2285995	Leg Channel Assembly 36" Note: Used UP TO 26-Oct-2011.		2		2	4	
41	2285997	Leg Channel Assembly 24" Note: Used UP TO 26-Oct-2011.	2		4	2		
50	4530141	Base Rail Assembly - 24in Note: Used FROM (date) 27-Oct-2011 (model) E24-36G-0079 (serial#) 1110100101160.	2		4	2		
	4530143	Base Rail Assembly - 36in Note: Used FROM (date) 27-Oct-2011 (model) E24-36G-0079 (serial#) 1110100101160.		2		2	4	
51	4528395	Leg, Adjustable, 4in, SS Note: For item 50. Used FROM (date) 27-Oct-2011 (model) E24-36G-0079 (serial#) 1110100101160.	4	4	8	8	8	
52*	F60	#10A x 5/8" Quad, Pan Head, Sheet Metal Screw	4	4	8	8	8	
53*	F204	3/8-16 x 1" Hex Head, Cap Screw	4	4	8	8	8	
54*	F256	3/8" dia Split Lockwasher	4	4	8	8	8	

* NOT ILLUSTRATED

RECOMMENDED STOCK PARTS



Heavy Duty Fryers

GARLAND PARTS IDENTIFICATION
Heavy Duty Fryers models E24-31F & E24-31SF

ITEM	PART #	DESCRIPTION	MODEL		DATE		CRITICAL
			QUANTITY		FROM	TO	
			E24-31F	E24-31SF			
1	G1155-1	Black PVC Grommet # 315-463	2	2			
2	G1565-1-8P	Element Panel Support Plated	1	1			
3	G1156-1	Straight Thru Fitting	6	6			C
4	G0818-1-7	Terminal Block Cover	1	1			
5	G0817-1-7	Contractor Box Cover	1	1			
6	G01501-2	Insulating Tape 1/8 x 1/2 X 36	1	1			
7	G0840-01-8	Contractor Box Assembly	1	1			
8	1028802	Heyco Bushing	2	2			
9	G0548-1-8P	Rotating Head Hinge Plated	1	1			
10	2113600	Hi Limit Thermostat	1	1			C
11	G0547-01-8	Rotating Head Assembly	1	1			
12	G01499-1	Ground Terminal 105A Large SLU-70	1	1			
13	G2249-1-7	Wire Guard	1	1			
14	G2251-01-8	Main Back Assembly	1	1			
	G2251-01-9	Main Back Assembly	1	1			
15	G01280-3-7	Terminal Block Channel 3 LUG Domestic N.L.A.	1	1			
	G01280-5-7	Terminal Block Channel 5 LUG Export N.L.A.	1	1			
16	G01268-1	Terminal Block #824 Export N.L.A.	3	3		5-Jan-01	
	G01268-2	Terminal Block End #830 N.L.A.	1	1		5-Jan-01	
	2694800	Export Terminal Block (5)	1	1	5-Jan-01		
	2694801	Export/Domestic Terminal Block (4) - Photo shown.	1	1	5-Jan-01		
17	G2588-01-82	Main Side Assembly L/H	1	1			
	G2588-01-92	Main Side Assembly L/H	1	1			
18	G2248-1-7	Wireway Front	1	1			
19	G2247-1-7	Wireway Back	1	1			
20	G02698-1	Basket Twin R/H	1	1			
	G02698-2	Basket Twin L/H	1	1			
21	G02699-1	Basket Single (Optional)	1	1			
22*	G0312-1-9	Banking Plate	1	1			
23	G02280-1-7	Switch Cover	1	1			
24	G0478-01-7	Main Bottom Assembly	1	1			
25	G01296-1	Pilot Red 240V	1	1			
	G01296-2	Pilot Amber	1	1			
	G01296-3	Pilot Green	1	1			
26	G02320-1	Toggle Switch	1	1	18-Jan-83		C
	G01864-1	Toggle Switch	1	1		18-Jan-93	
27	G02716-1	Dial - (Universal) Small Shaft	1	1			
	G02725-12	Dial Insert (OFF/95C/190C	1	1			
	G02725-20	Dial Insert (OFF/200F/375F)	1	1			
28	G02319-01	Fryer Thermostat 200F-375F 4 Terminals (Canada Market)	1	1			C
	G01894-01	Thermostat 2 Terminal (USA Market)	1	1			C
29	3077101	Garland Nameplate 4/7/8"	1	1			
30	G02446-1-9	Top Panel	1	1			
31	G02448-1-9	Drip Tray Handle	1	1			
32	G02447-1-8	Drip Tray	1	1			
33	G2588-01-81	Main Side Assembly R/H	1	1			
34	G0474-01-8P	Fryer Main Top Assembly Plated	1	1			

* NOT ILLUSTRATED

RECOMMENDED STOCK PARTS

GARLAND PARTS IDENTIFICATION
Heavy Duty Fryers models E24-31F & E24-31SF

ITEM	PART #	DESCRIPTION	MODEL		DATE		CRITICAL
			QUANTITY		FROM	TO	
			E24-31F	E24-31SF			
35	G0819-1-7	Shield	1	1			
36	1489900	Contacto Support	1	1			
37	1489701	Contacto 3 Pole 208/240V 40A	1	1			C
38	1489801	Contacto 4 Pole 208/240V 40A	1	1			C
39	G02692-01-8P	Frytank Assembly (Plated) W/Drain	1	1			
	G02692-02-8P	Frytank Assembly (Plated) No Drain	1	1			
40	G1570-1-9	Tie Bar Support	1	1			
41	G1551-2	Element L/H 208V, 4KW	1				C
	G1551-4	Element L/H 240V, 4KW	1				C
	G1551-12	Element L/H 208V, 4.5KW		1			C
	G1551-14	Element L/H 240V, 4.5KW		1			C
42	G1550-1	Element Center 208V, 4KW	1				C
	G1550-2	Element Center 240V, 4KW	1				C
	G0476-01	Element Center 208V, 7 KW		1			C
	G0476-02	Element Center 240V, 7 KW		1			C
43	G1551-1	Element R/H 208V, 4KW	1				C
	G1551-3	Element R/H 240V, 4KW	1				C
	G1551-11	Element R/H 208V, 4.5KW		1			C
	G1551-13	Element R/H 240V, 4.5KW		1			C
44	CK161	Tube Clamp Assembly Kit For the T/tat & Hi-Limit (items 28 & 10)	3	3			C
45	G02099-1	Element Lifting Handle NI. PLT	1	1			
47	4519722	SS Clip - Element/Capillary	4	4			
48	G02156-1	Rotating Head Latch Return	1	1			
49	G02154-1-9	Rotating Head Latch	1	1			
50	G2941-1P	Valve 1" Gate - Plated	1	1			C
51	G02449-1-7	Drip Tray Guide	1	1			
52	G02500-1	Pilot & Swicth I.D. Plate	1	1			
53	G02778-1-9	Lower Front Panel From Serial # 21517	1	1			
	G01313-1-9	Lower Front Panel To Serial #21516-NLA	1	1			
54	2285998	Leg Channel Assembly 18"	2	2			
55	F157	Leveling Bolt 3/8-16 x 1 1/16"	4	4			
	078109-2	4" Adjustable Metal Leg	4	4			

* NOT ILLUSTRATED
RECOMMENDED STOCK PARTS

GARLAND PARTS IDENTIFICATION

Revision History

REV. #	PAGE #	ITEM #	NOTE	DATE
2	14	53	Item Mislabeled Was 36 Now 53	Feb 19/04
	16	53	New Item added	
			Whole Book Reformatted	
3	14	44	More Information Added On Description	Nov 12/04
4	14	44	Correction On Previous Information	Nov 12/04
	15		Digital Photo Added	
	3		Digital Photo And Revision History Added On Index	
5	14	47	New Part Number – Was GF139	Apr 05/05
	12,14	46	Part Number deleted	
6	4, 8, 12		New Drawing	May 10/05
	5	30	New Part Number Added – Leg Channel Assembly for Reinforced Leg Support	
	11	40, 41, 42		
	14	54		
7	5, 7	12,24	Part # 1902919 – Garland Nameplate 4" Removed	Sep 7/06
	10,13	30, 29		
	5, 7, 9	10, 19, 14	Description Changed – Part # F157	
	12, 14	55	Part Number Added – Item 55	
8	13	28	Description Changed – Dates Deleted	Oct 11/07
9	7	13	New part number – Was G2840-1 Cord & Plug-Set 3/14 Wire 15A	Jul 14/08
		Whole Book	Critical Column Added	
10	9	1	P/N: G02141-024-8, 2220899, 2220897, 2220898, G02141-048-8, G02141-060-8, replaced by: 4526682, 4527724, 4527725, 4527726, 4526683, 4526684.	May 25/10
		3A	Added used UP TO date.	
		3B	Added P/N 4518983.	
11	8 - 11	14, 40, 41	Griddle: Added UP TO date.	Aug 4/12
		50 - 54	New parts - base rail, legs, and fasteners: 4530141, 4530143, 4528395, F60, F204, F256.	
	8, 12		Insert photos for parts 2694801, CK161 into illustrations.	
12	10	17	PCO07390 4530871 replaced G01573-1	Jun-13/14

 **Garland**[®]

 **Manitowoc**